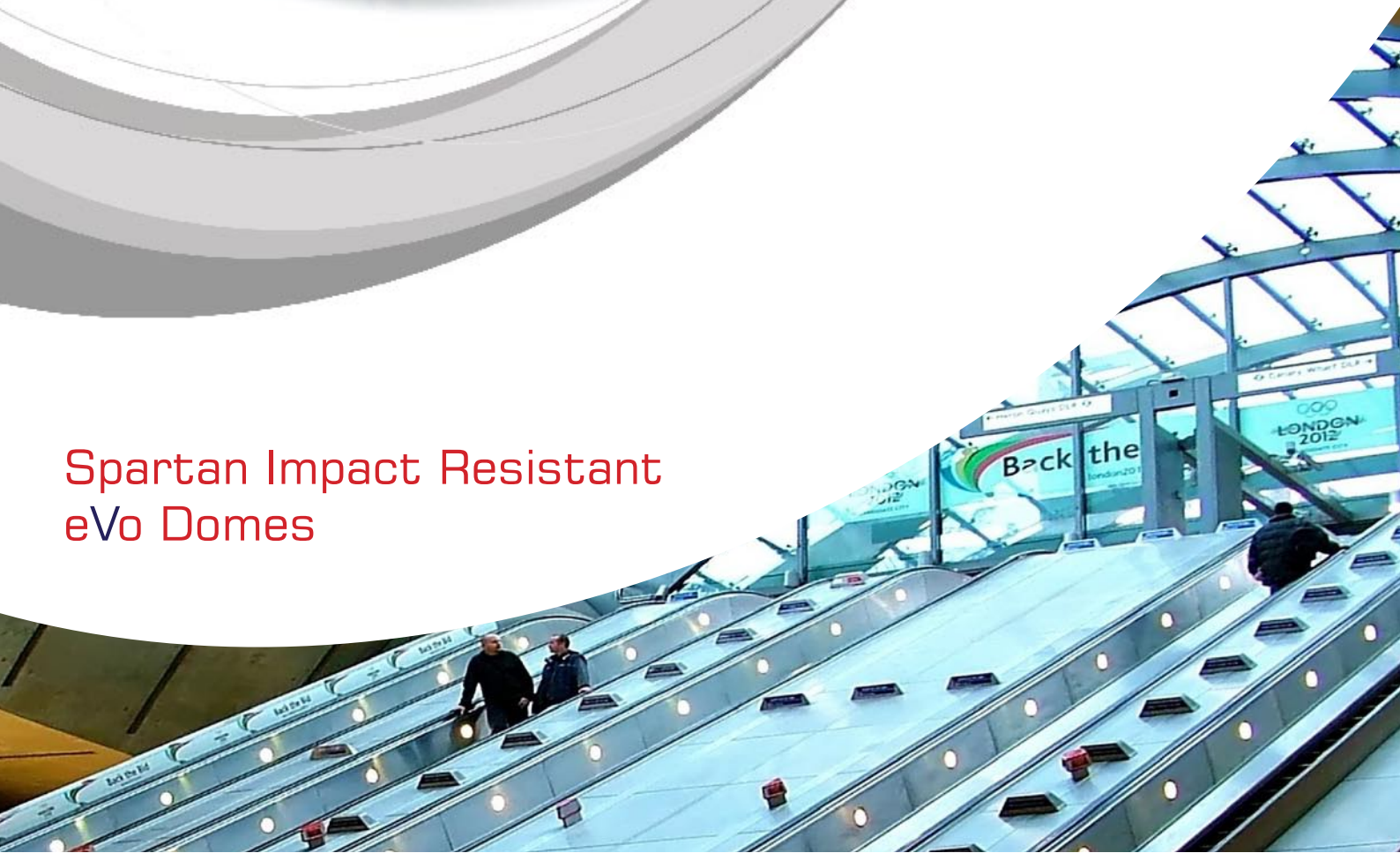


Spartan Impact Resistant eVo Domes



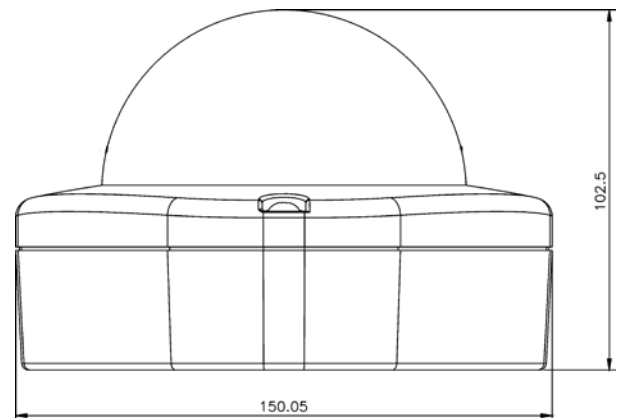
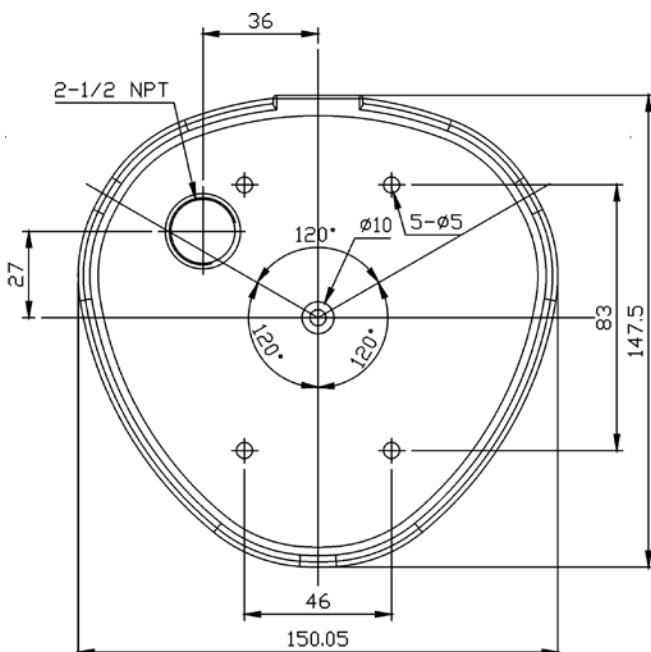
SPARTAN IMPACT RESISTANT eVo DOMES

FEATURES



- Simple to install
- Available in colour / monochrome
- Available in day / night (moving filter)
- High resolution output 520TVL Colour 580TVL Mono
- Advanced 1/3" Sony CCD technology
- New improved Multi axis Gimbal
- VARIFOCAL auto iris direct drive lens
- Moving filter (VSCM520IR)
- 12V DC operating voltage
- Impact resistant
- Water resistant to IP66

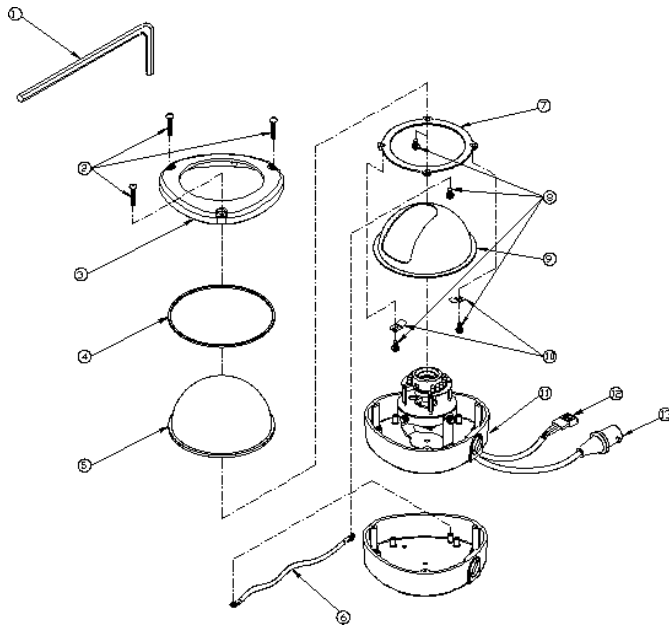
PRODUCT DIMENSIONS (All dimensions in mm)



SPARTAN IMPACT RESISTANT eVo DOMES		SPECIFICATIONS		
MODEL		VSM600I	VSCM520I	VSCM520IR
Image Area	4.9mm x 3.7mm	*	*	*
Pickup Element	752(H) x 582(V) Pixels, 1/3" Interline Transfer CCD	*	*	*
Scanning System	2:1 Interlace V: 50Hz, H: 15.625KHz	*	*	*
Sync System	Internal	*	*	*
Video Output	1.0 Vpp, 75 Ohms, negative sync	*	*	*
Resolution	580 TV Lines (Horizontal)	*		
	520 TV Lines (Horizontal)		*	*
Gamma Correction	0.45	*	*	*
Minimum Illumination	0.2 Lux (F1.6, AGC ON, 50 IRE)	*		
	0.3 Lux (F1.6, AGC ON, 50 IRE)		*	
	0 Lux (F1.6, AGC ON, 50 IRE, with IR LED's ON)			*
S/N Ratio	More than 48dB (AGC OFF)	*	*	*
Power Source	DC12V (Regulated Power Supply Required)	*	*	*
Power Consumption	130mA, 1.7 Watts (Max)	*		
	230mA, 3 Watts (Max)		*	
	300mA, 4.0 Watts, IR LED's ON (Max)			*
Ambient	30% ~ 90% RH / -10 ~ +60 °C	*	*	*
Dimensions Ø x D	151mm x 103mm	*	*	*
Weight	Approx 750g (Net)	*	*	*
Backlight Comp	ON / OFF Switchable (Centre Weighting)	*	*	*
White Balance	Auto Trace White balance (2300°~ 12300° K)		*	*
Auto Gain Control	Auto	*		*
	Switchable		*	
Iris Control / AES	Built-in Auto DC Iris driver / Up to 1/100,000 sec	*	*	*
Focal length	f = 3.5 ~ 8.5mm	*	*	
	f = 3.6 ~ 9.0mm (Moving Filter)			*
Max Relative Aperture	F1.6, Varifocal Auto Iris	*	*	*
IP Rating	IP66	*	*	*



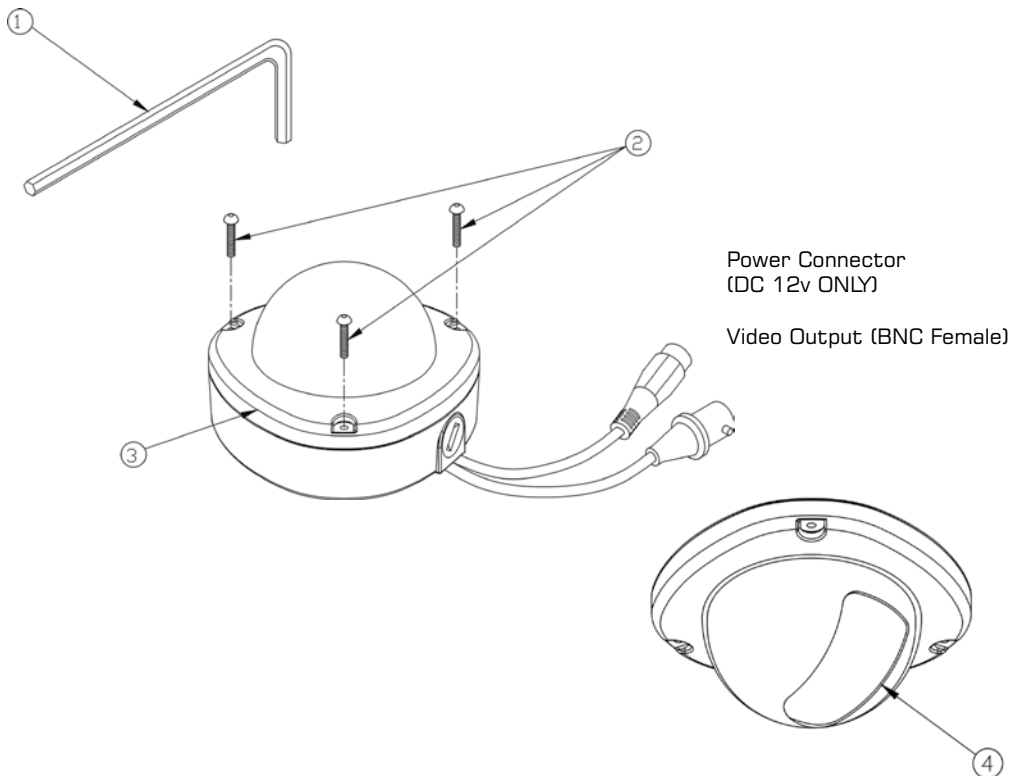
OVERVIEW



FEATURES

- 1 Hex key wrench (3.9mm).
- 2 Tamper screws (3x)
- 3 Upper dome cover
- 4 Rubber washer
- 5 Dome shell
- 6 Cover safety linkage
- 7 Metal grip ring
- 8 Grip ring screws (M4x4)
- 9 Camera shade
- 10 Shade grip leaves
- 11 Dome base
- 12 Power connector
- 13 Video Output (BNC)

CAMERA INSTALLATION



FEATURES

- (a) Using the 3.9mm hex key wrench (1), loosen the three M4x16 tamper screws (2).
- (b) Gently lift the upper dome casing (3).
- (c) Drill mounting holes into wall, ceiling or desired plane and insert rawl plugs.
- (d) Mount camera aligning mount holes and tighten mounting screws.
- (e) Adjust viewing direction & range.
- (f) Adjust the camera shade (4) matching the lens direction.
- (g) Re-fit dome casing and tighten tamperproof screws.

Distributor Details